



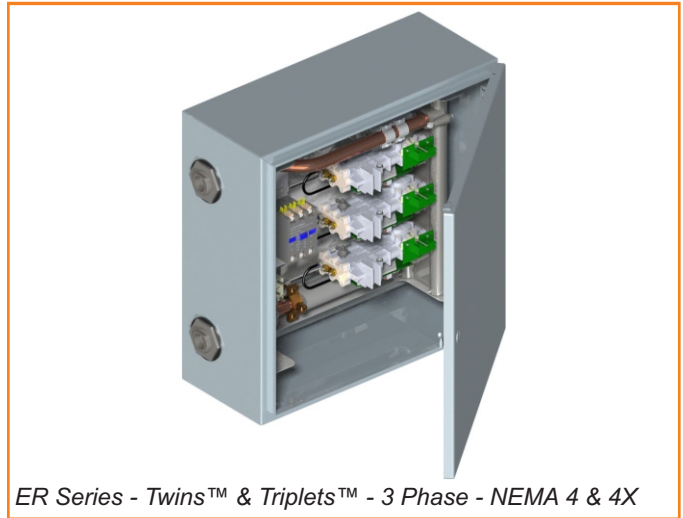
ELECTRIC TANKLESS WATER HEATER - LARGE CAPACITY

ER SERIES - TRIPLETS™ - NEMA 4 & 4X - 3 PHASE

TYPICAL APPLICATIONS: Commercial, Industrial, Showers, Mop Sinks, Service Sinks, Safety Face Wash and Multiple Lavatories

CABINET PRODUCT FEATURES

- Unit is fabricated of 16 gage material with a continuous weld seam ground to a smooth finish
 - N4 - ANSI 61 Gray Painted Steel
 - N4X - 304 Stainless Steel
- Door is fabricated of 14 gage material and contains high-torque thread-less studs and fasteners with quarter-turn slotted latches
- Removable door with hidden hinges for clean, aesthetic appearance
- Unit is sealed with seamless foam-in place gasket
- Unit provides maximum body opening with minimum width body flanges
- Mounting holes in back of body for direct mounting
- Bonding provision on door; grounding stud on body
- Furnished hardware kit consists of panel-mounting nuts, panel grounding hardware and sealing washers for wall-mounting holes
- UL 508A listed; Type 3R, 4, 4X, 12; File No. E61997
- cUL Listed per CSA C22.2 No 94; Type 3R, 4, 4X, 12; File No. E61997
- NEMA/EEMAC Type 3R, 4, 4X, 12, 13
- CSA File No. 42186: Type 4, 4X, 12
- VDE IP66



ER Series - Twins™ & Triplets™ - 3 Phase - NEMA 4 & 4X

GUIDE SPECIFICATION

Tankless Water Heater shall be a Chronomite Laboratories Model that is referenced within the submittal sheet column located on table below.

SUBMITTAL SHEET	ACTIVATIONS		FLOW RATE
ITHC-3P-LA3	LOW	L	0.35 GPM to 4.0 GPM
ITHC-3P-SA3	STANDARD	S	1.2 GPM to 6.0 GPM
ITHC-3P-HA3	HIGH	H	2.8 GPM to 8.0 GPM

CABINET OPTIONS

- N4 Gray Finish
- N4X Stainless Steel Finish

HEATER PRODUCT FEATURES

Chronomite ER Series - Triplets™ - 3 Phase - NEMA 4 & 4X models are manufactured to provide reliable tepid hot water with flow rates ranging from 0.35 GPM to 8.0 GPM. There is no pressure and temperature relief valve needed (unless required by code), saving time and money on installation.

Housing is fabricated from rugged stainless steel.

Element assembly is fabricated from Celcon plastic.

Heating Coils are Nichrome.

For the model being selected, please refer to the guide specification submittal sheet located in the respective submittal sheets



Member of U.S. Green Building Council



APPLICABLE MODELS

ER-90()/208_3P	ER-90()/240_3P	ER-120()/208_3P	ER-60()/480_3P	ER90-480()/480_3P
ER-42()/480_3P	ER-50()/480_3P	ER-120()/240_3P	ER-67()/480_3P	

() = Activation L, S, or H

Complies with Standards for:

LISTED TO: UL STD 499



Federal Public Law 111-380 (No Lead)



CHRONOMITE LABORATORIES, INC.

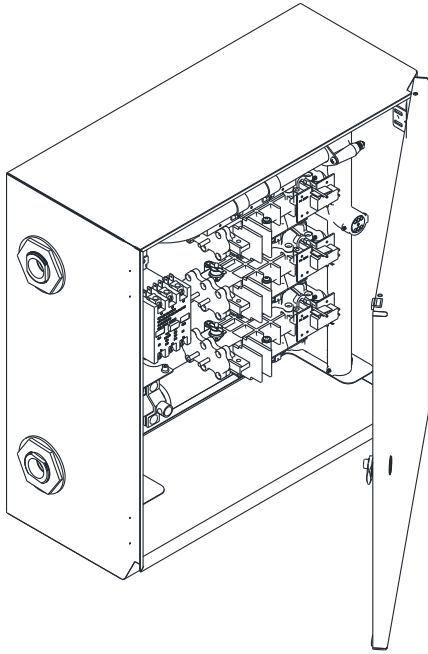
17451 Hurley St. :: City of Industry, CA 91744
 Phone 800-447-4962 :: 626-937-4270
 Fax 626-937-4279 :: www.chronomite.com

MEMBER OF

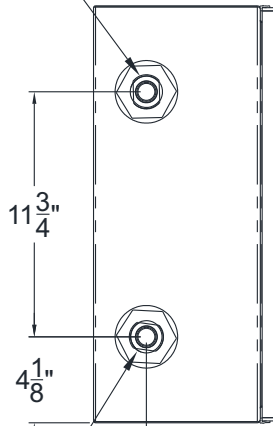


ER SERIES - TRIPLETS™ - NEMA 4 & 4X - 3 PHASE

TECHNICAL DIMENSIONS

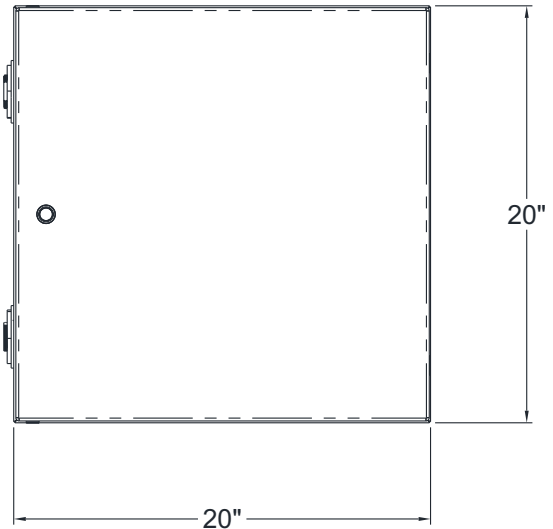


3/4" NPT FEMALE
 THREAD INLET



3/4" NPT FEMALE
 THREAD OUTLET

2 1/2"
 TYP.



Chronomite Laboratories assumes no responsibility for use of void or suspended data. © Copyright Chronomite Laboratories, Inc. Acorn Family of Companies, City of Industry, CA Please visit www.chronomite.com for most current specifications.

SELECTION SUMMARY
 & APPROVAL FOR
 MANUFACTURING

Company _____

Model Number & Options _____ Quantity _____

Contact _____ Title _____

Signature (Approval for Manufacturing) _____ Date _____

CHRONOMITE
 LABORATORIES, INC.

PH. 800-447-4962

626-937-4270

FAX 626-937-4279

www.chronomite.com